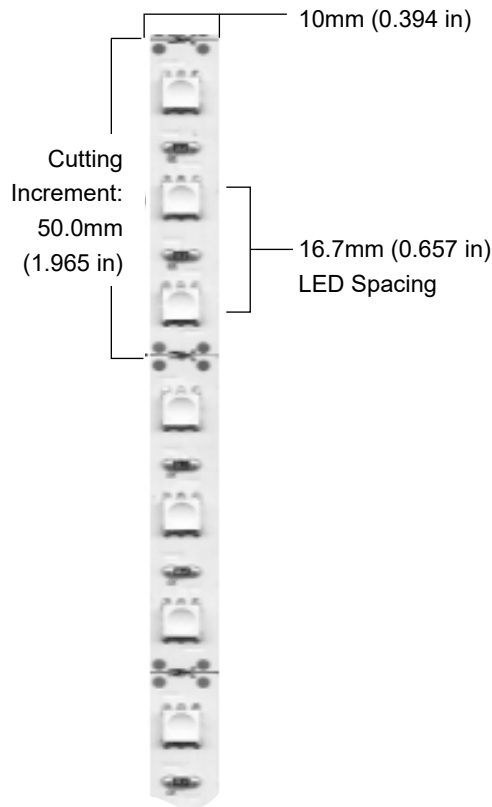




QolorFLEX LED Tape, Cool White, 12V Indoor (P/N 5050-12-CW-60-5-20-1) is an interior grade LED tape with a high output (1030 lumens/meter) brightness. The cool white color (6500°K) accentuates blue and subdues green and red. Each LED tape comes with wiring leads on both ends and durable 3M adhesive backing. It is available in full five meter reels and sample strips.



QolorFLEX® LED TAPE, Cool White, 12V Indoor P/N 5050-12-CW-60-5-20-1

SPECIFICATIONS:

Physical

Length	5m	(16.404 ft)
Width	10mm	(0.394 in)
Cutting Increment	50mm	(1.965 in)
LED Spacing	16.7mm	(0.657 in)
Backing Color	White	

Output

Color(s)	Cool White
Color Temperature	4100° K
Wavelength	N/A
Beam Angle	120°
Brightness	990 lumens/m
Color Rendering Index (CRI)	70

Electrical






Operating Voltage	12VDC
Current	2.1A
Power Consumption (w/5m)	50.4 w/5m
Power Consumption (w/ft)	3.07 w/ft
Density	60 LEDs/m
LED Chip Size	5050

Product Information













Use Environment	Indoor
Dimmable	Fully Dimmable
Average Life	25,000 hours
Warranty	Two years
IP Rating	IP20
Compliance	ETL, CE, RoHS




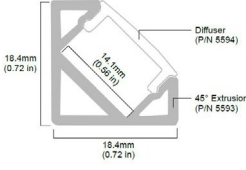



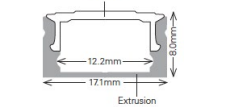


Ribbon Cables:

P/N	NAME	
6607	Ribbon Cable, Six Conductor, 18 GA	
6600	Ribbon Cable, Five Conductor, 18 GA	
6600-20	Ribbon Cable, Five Conductor, 20 GA (thinner than 18 GA)	
6608	Ribbon Cable, Four Conductor, 18 GA	
6606	Ribbon Cable, Three Conductor, 18 GA	
6605	Ribbon Cable, Two Conductor, 18 GA	









Connectors:

P/N	NAME	
6612	Terminal Block Connector, Six Pin, Male	
6613	Terminal Block Connector, Six Pin, Female	
6610	Terminal Block Connector, Five Pin, Male	
6611	Terminal Block Connector, Five Pin, Female	
5673	Terminal Block Connector, Four Pin Male	
5674	Terminal Block Connector, Four Pin Female	
5671	Terminal Block Connector, Three Pin Male	
5672	Terminal Block Connector, Three Pin Female	
5657	Terminal Block Connector, 2-Pin Male	
5658	Terminal Block Connector, 2-Pin Female	
6615	Female barrel to screw terminal connector	
6616	Male barrel to screw terminal connector	

Extrusions and Diffusers:

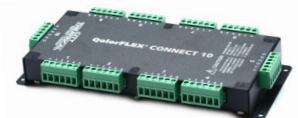
P/N	NAME	
6693	Aluminum Extrusion, 45-Degree, 2m for 45-Degree LED Tape installations	 
6694	Diffuser for 45-Degree Extrusion, 2m	 
6695	Diffuser for Low Profile Extrusion, 2m	 
6690	Aluminum Extrusion, Low Profile, 2m	 

End Caps, Tape, and Tape Clips:

P/N	NAME	
6690-1	End Cap for 6690 Aluminum Extrusion. Sold in packs of 10.	
6690-2	End Cap with hole for 6690 Extrusion. Sold in packs of 10.	
6680	Waterproof End Caps for Outdoor-rated LED tapes. Sold in packs of 10. Sizes: 9mm w/ 2 holes	
6682	8mm (no holes)	
6684	12mm w/ 4 holes	
6686	12mm (no holes)	
6625	3M VHB Double Sided Tape Roll, 72 yards	
6630	Outdoor Tape Clips and Screws. Sold in packs of 12.	

QolorFLEX Connect 10

P/N 5748



QolorFLEX Connect 10 is a practical and time saving solution for managing the multiple wire runs and numerous connections needed for large scale installations of LED tape.

Developed to complement QolorFLEX 5-in-1 LED Tape, QolorFLEX Connect 10 is a "plug-in box" that can connect up to nine runs of five, four, three, dual, or single color LED tape to a low voltage low dimmer. Each QolorFLEX Connect 10 uses 10 six position detachable Phoenix terminal block connectors to achieve a quick and well-ordered installation. QolorFLEX Connect 10 is constructed with a Nema 4 IP 20 steel enclosure, and offers a maximum current per device of 40A and maximum load per terminal of 20A.